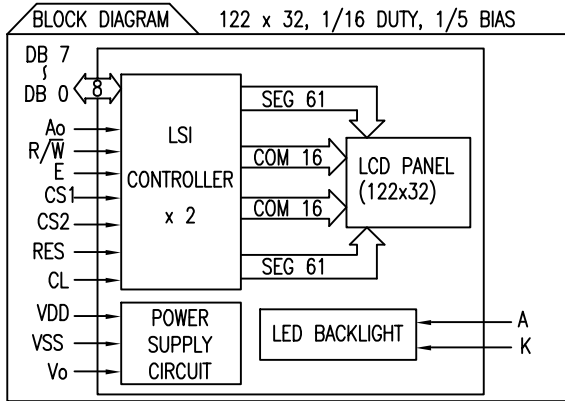
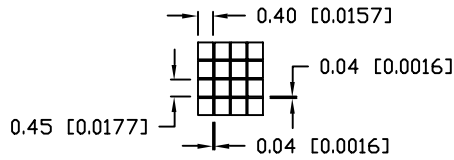


UNCONTROLLED DOCUMENT

□ □



PIXEL DETAIL



PART NUMBER
LCM-X12232GXX

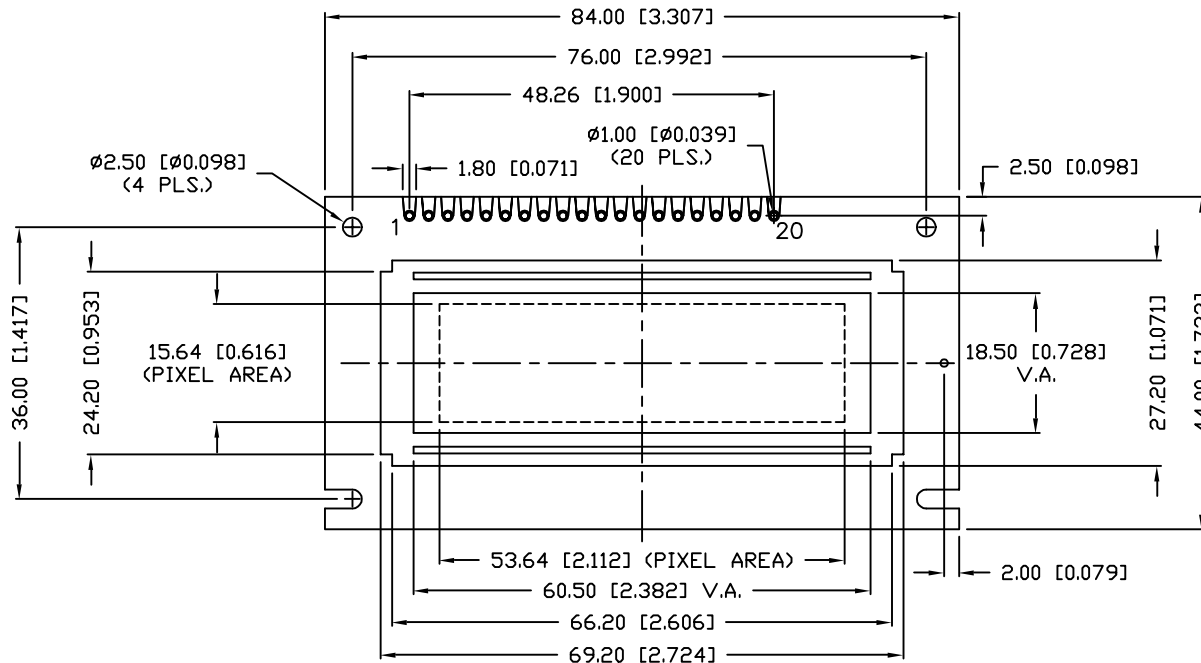
REV.

B

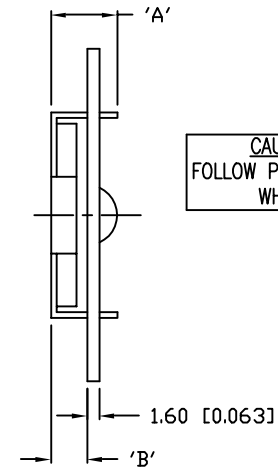
REV.	E.C.N. NUMBER AND REVISION COMMENTS	DATE
A	E.C.N. #10433./	6-8-98
B	E.C.N. #10BRDR. & REDRAWN.	10-2-98

P/N PREFIX/SUFFIX TABLE

LCM-X	DXX	DESCRIPTION
STANDARD	S	STN, REFLECTIVE
HIGH TEMP.	H	STN, TRANSLUCTIVE(W/ BACKLIGHT)



TYPE	DIM.	A	B
WITH BACKLIGHT		12.7	8.7
NO BACKLIGHT		8.8	4.8



CAUTION: STATIC SENSITIVE DEVICE
FOLLOW PROPER E.S.D. HANDLING PROCEDURES
WHEN WORKING WITH THIS PART.

UNCONTROLLED DOCUMENT

*UNLESS OTHERWISE SPECIFIED TOLERANCE IS ±0.25mm (±0.010")

REV. B	PART NUMBER LCM-X12232GXX
122 x 32 DOT MATRIX GRAPHIC MODULE, 1/16 DUTY, 1/5 BIAS.	

CONFIDENTIAL INFORMATION
THE INFORMATION CONTAINED IN THIS DOCUMENT IS THE PROPERTY OF LUMEX INC. EXCEPT AS SPECIFICALLY AUTHORIZED IN WRITING BY LUMEX INC., THE HOLDER OF THIS DOCUMENT SHALL KEEP ALL INFORMATION CONTAINED HEREIN CONFIDENTIAL AND SHALL PROTECT SAME IN WHOLE OR IN PART FROM DISCLOSURE AND DISSEMINATION TO ALL THIRD PARTIES.

RELIABILITY NOTE
OUR MANY YEARS OF EXPERIENCE DATA ACCUMULATION INDICATE THAT SOLDER HEAT IS A MAJOR CAUSE OF EARLY AND FUTURE FAILURE. PLEASE PAY ATTENTION TO YOUR SOLDERING PROCESS.

LUMEX
INCORPORATED

290 E. HELLEN ROAD
PALATINE, ILLINOIS 60067
PHONE: 1-847-359-2790
WEB: HTTP://WWW.LUMEX.COM

DRAWN BY: SA/BC	CHECKED BY:	APPROVED BY:	DATE: 4-6-98
			PAGE: 1 OF 2
			SCALE: N/A